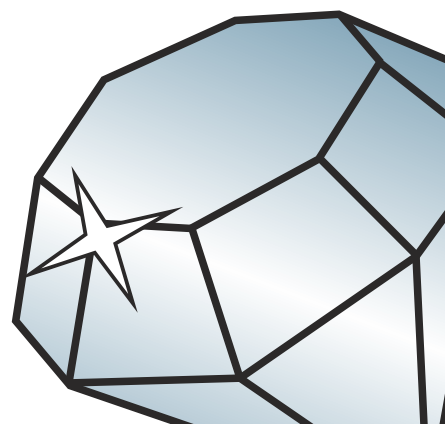


Hinged & Lift Out Combination Units

Luxury Subframe Section Guide



DURATION
WINDOWS



Contents



Parts

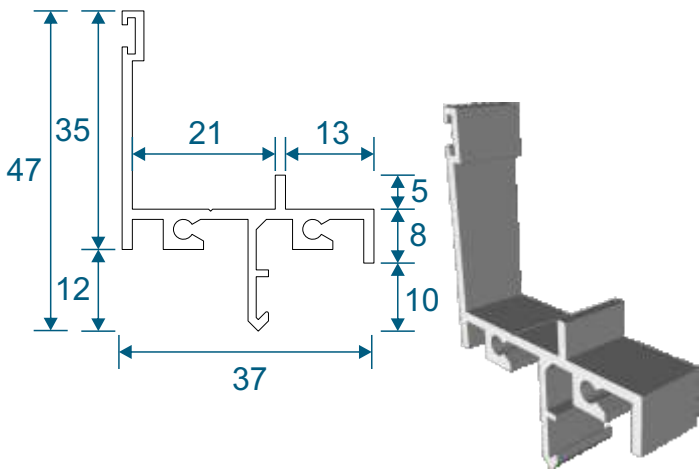
All Parts	3
-----------	---

Sections

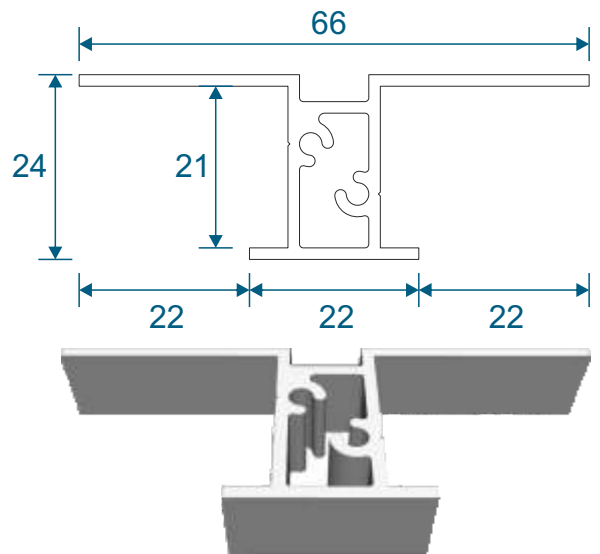
Section Reference Page	4
Transom & Mullion Sections	5
Frame Sections	6

Parts

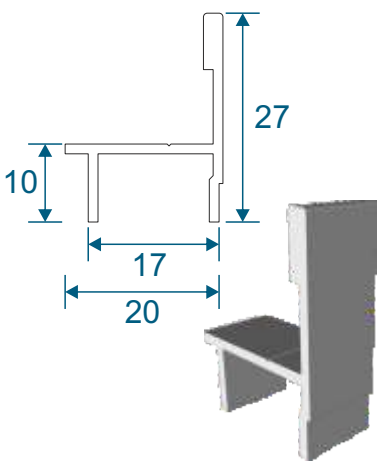
SG70 - Frame For Luxury Sub



DG95 - Mullion / Transom



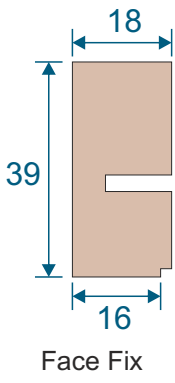
DG96 - Adapter



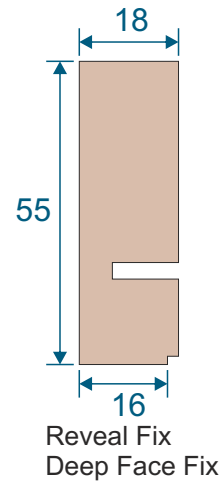
PVC Retainer Clip



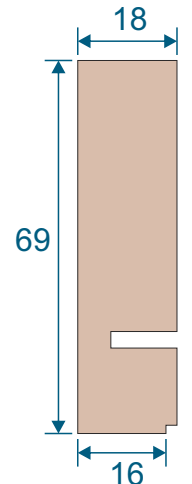
SF1



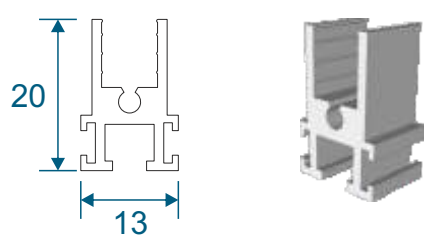
SF3



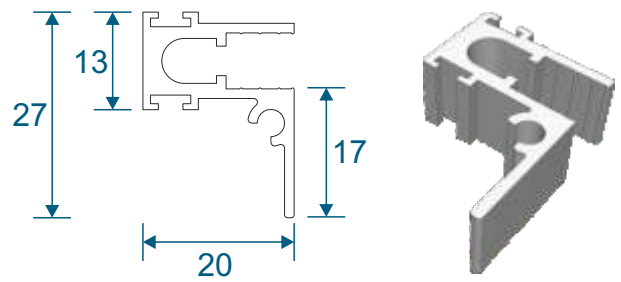
SF4



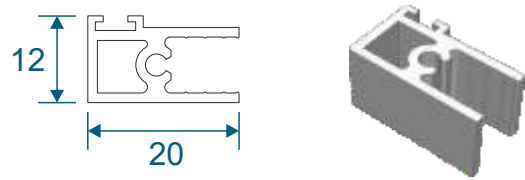
SG64 - Top Rail (Lift Out)



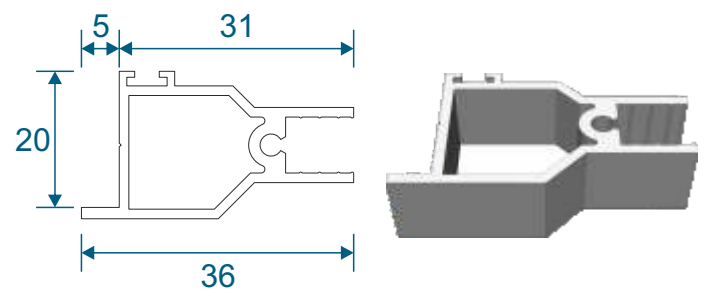
SG71 - Bottom Rail Handle (Lift Out)



SG66 - Panel Sides (Lift Out)



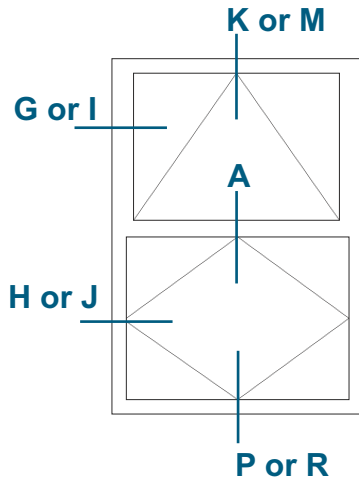
SG69 - Hinged Sash



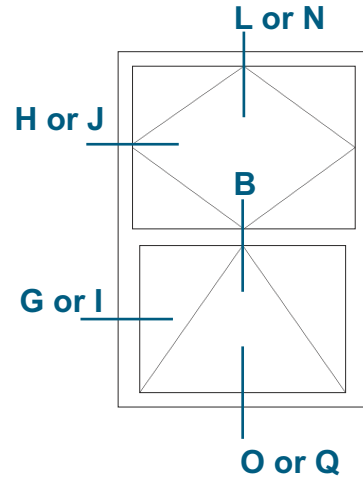
Section Reference Page

Sections A to F are on page 5
Sections G to R are on page 6

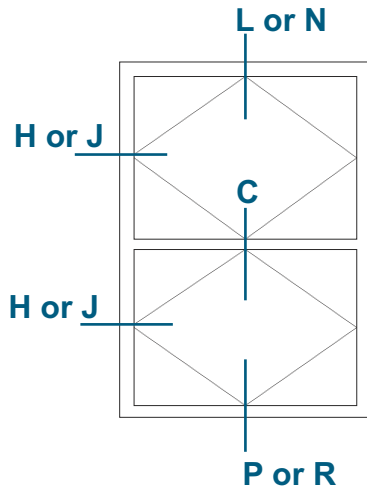
Hinged Over Lift Out



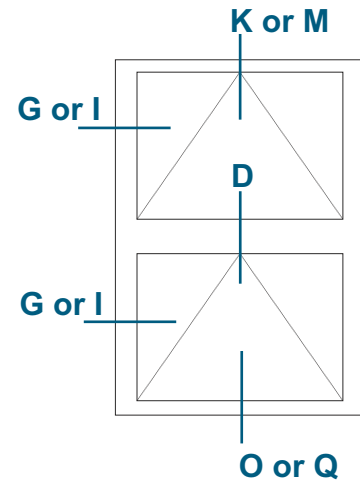
Lift Out Over Hinged



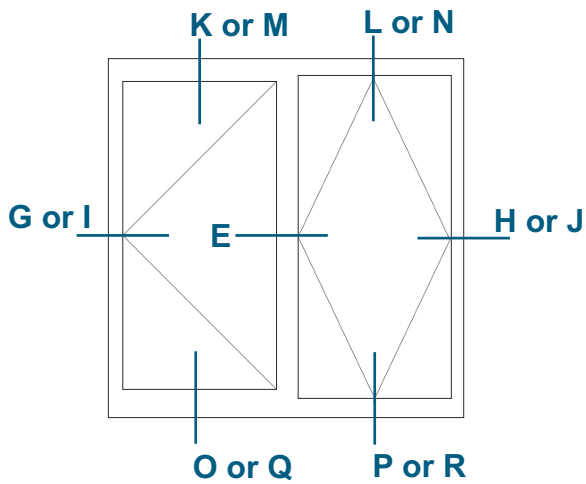
Lift Out Over Lift Out



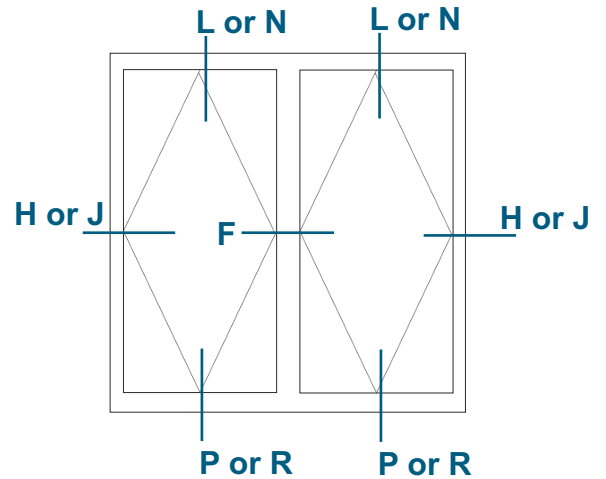
Hinged Over Hinged



Hinged Next To Lift Out

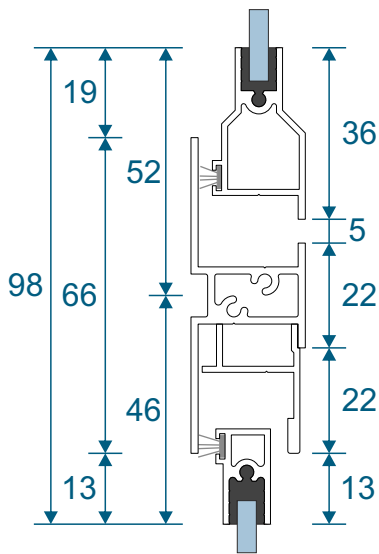


Lift Out Next To Lift Out

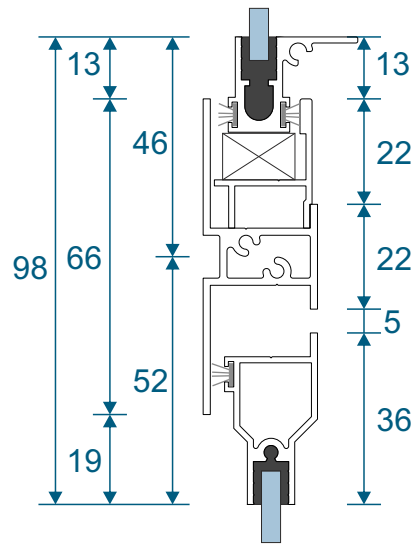


Transom / Mullion Sections

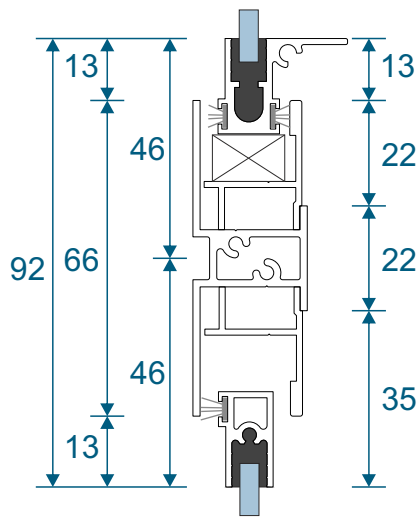
A - Hinged Over Lift Out



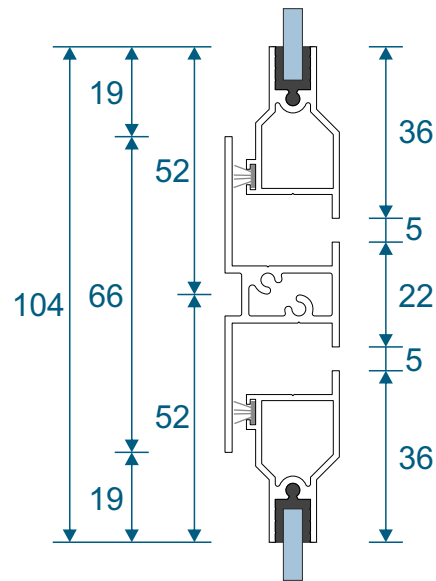
B - Lift Out Over Hinged



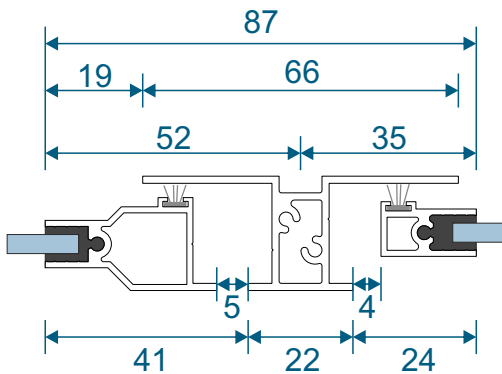
C - Lift Out Over Lift Out



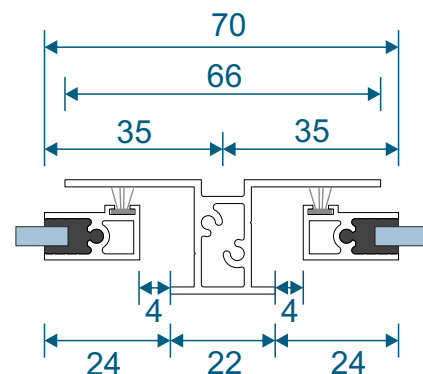
D - Hinged Over Hinged



E - Hinged Next To Lift Out

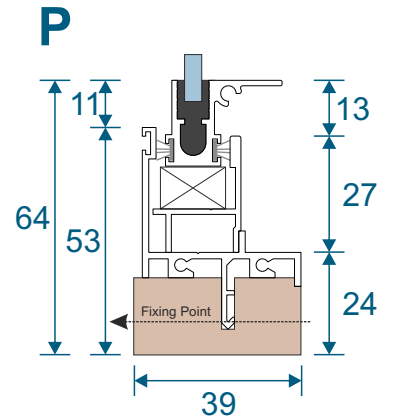
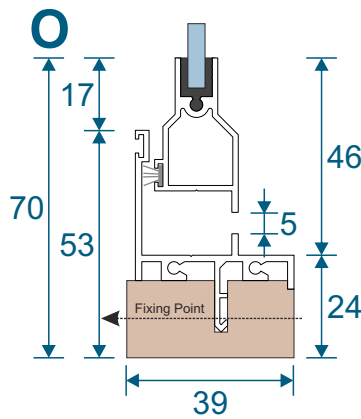
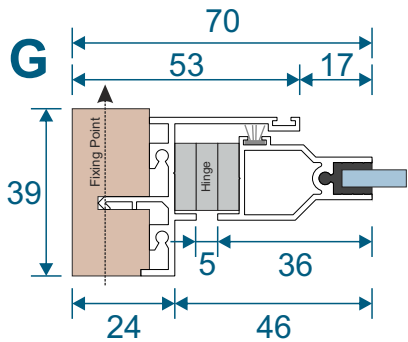
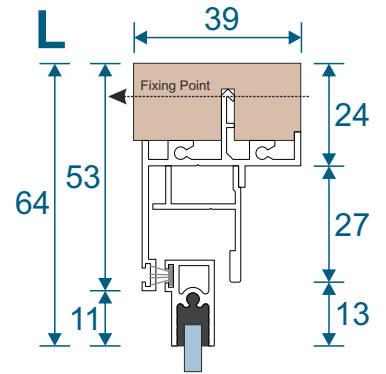
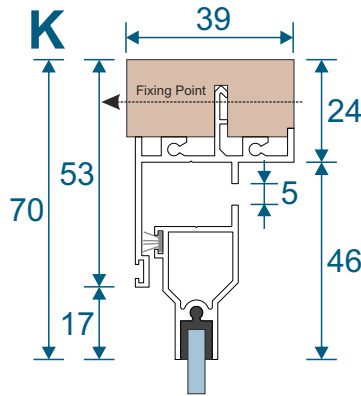
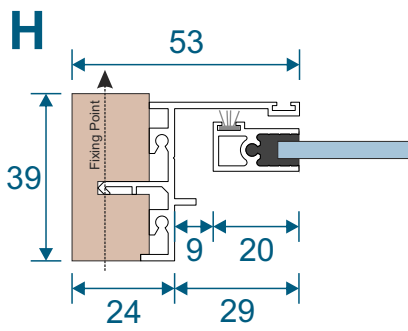


F - Lift Out Next To Lift Out

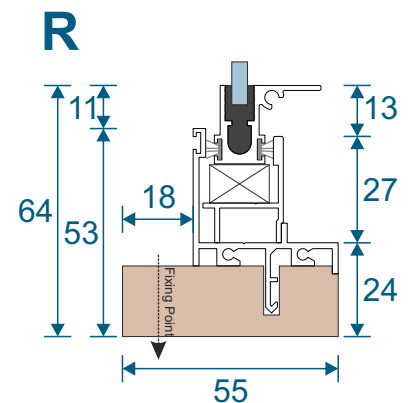
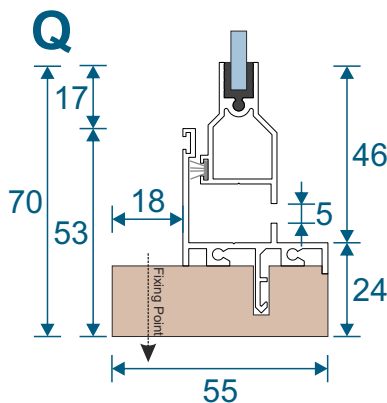
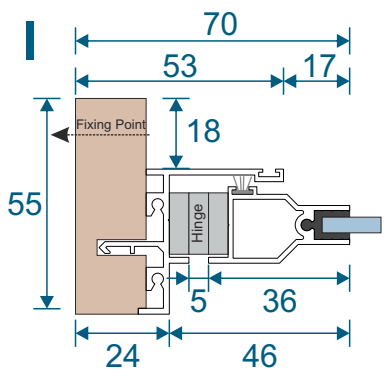
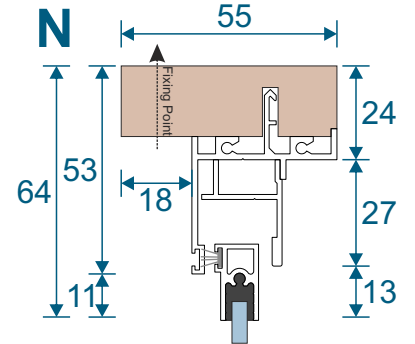
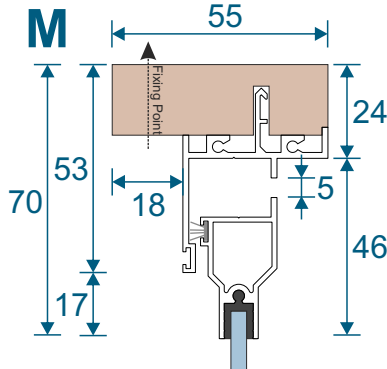
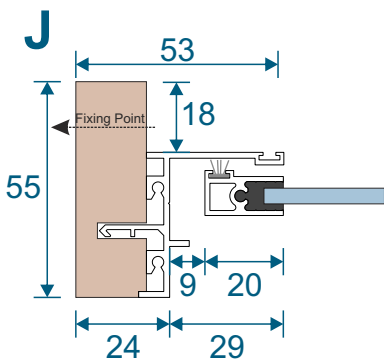


Frame Sections

Face Fix



Reveal Fix



Main Office & Factory

Units 4-5, t: 01268 681612 (20 lines)
Charfleets Road, f: 01268 510058
Canvey Island, e: sales@duration.co.uk
Essex. SS8 0PQ w: www.duration.co.uk

Grand Design Exhibition Centre

Unit 1 Casino Parade, t: 01268 695100
Eastern Esplanade,
Canvey Island, SatNav Directions
Essex. SS8 7FJ Use: SS8 7DN.